



Full wwPDB X-ray Structure Validation Report ⓘ

Feb 25, 2024 – 04:00 PM EST

PDB ID : 5VIO
Title : Crystal structure of ASK1 kinase domain with a potent inhibitor (analog 13)
Authors : Jasti, J.; Chang, J.; Kurumbail, R.
Deposited on : 2017-04-17
Resolution : 2.84 Å(reported)

This is a Full wwPDB X-ray Structure Validation Report for a publicly released PDB entry.

We welcome your comments at validation@mail.wwpdb.org

A user guide is available at

<https://www.wwpdb.org/validation/2017/XrayValidationReportHelp>

with specific help available everywhere you see the ⓘ symbol.

The types of validation reports are described at

<http://www.wwpdb.org/validation/2017/FAQs#types>.

The following versions of software and data (see [references ⓘ](#)) were used in the production of this report:

MolProbity : 4.02b-467
Mogul : 1.8.5 (274361), CSD as541be (2020)
Xtriage (Phenix) : 1.13
EDS : 2.36
buster-report : 1.1.7 (2018)
Percentile statistics : 20191225.v01 (using entries in the PDB archive December 25th 2019)
Refmac : 5.8.0158
CCP4 : 7.0.044 (Gargrove)
Ideal geometry (proteins) : Engh & Huber (2001)
Ideal geometry (DNA, RNA) : Parkinson et al. (1996)
Validation Pipeline (wwPDB-VP) : 2.36

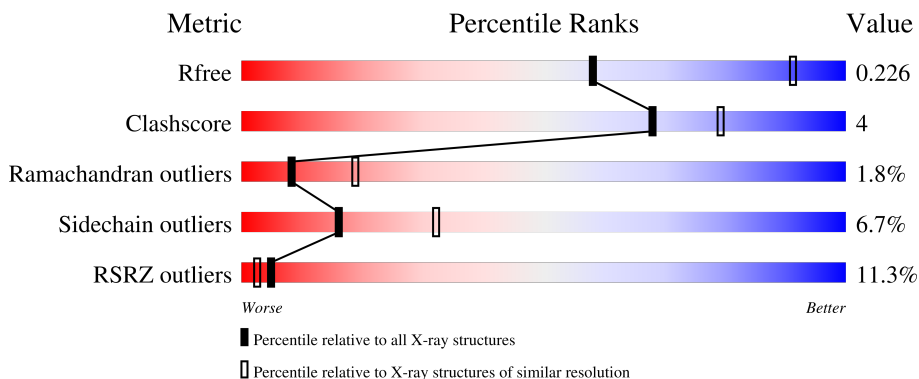
1 Overall quality at a glance

The following experimental techniques were used to determine the structure:

X-RAY DIFFRACTION

The reported resolution of this entry is 2.84 Å.

Percentile scores (ranging between 0-100) for global validation metrics of the entry are shown in the following graphic. The table shows the number of entries on which the scores are based.



Metric	Whole archive (#Entries)	Similar resolution (#Entries, resolution range(Å))
R_{free}	130704	1031 (2.86-2.82)
Clashscore	141614	1078 (2.86-2.82)
Ramachandran outliers	138981	1050 (2.86-2.82)
Sidechain outliers	138945	1051 (2.86-2.82)
RSRZ outliers	127900	1019 (2.86-2.82)

The table below summarises the geometric issues observed across the polymeric chains and their fit to the electron density. The red, orange, yellow and green segments of the lower bar indicate the fraction of residues that contain outliers for ≥ 3 , 2, 1 and 0 types of geometric quality criteria respectively. A grey segment represents the fraction of residues that are not modelled. The numeric value for each fraction is indicated below the corresponding segment, with a dot representing fractions $\leq 5\%$. The upper red bar (where present) indicates the fraction of residues that have poor fit to the electron density. The numeric value is given above the bar.

Mol	Chain	Length	Quality of chain
1	A	293	 2% 74% 17% • 8%
1	B	293	 % 81% 11% • 8%
1	C	293	 22% 77% 13% • 8%
1	D	293	 16% 78% 13% • 8%

2 Entry composition [i](#)

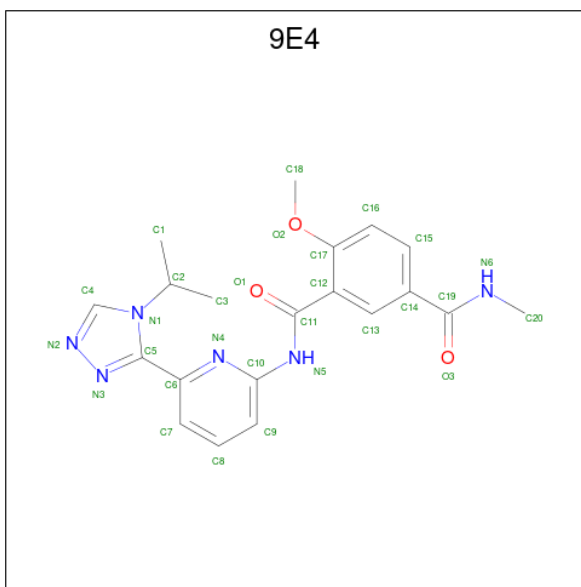
There are 3 unique types of molecules in this entry. The entry contains 8941 atoms, of which 66 are hydrogens and 0 are deuteriums.

In the tables below, the ZeroOcc column contains the number of atoms modelled with zero occupancy, the AltConf column contains the number of residues with at least one atom in alternate conformation and the Trace column contains the number of residues modelled with at most 2 atoms.

- Molecule 1 is a protein called Mitogen-activated protein kinase kinase kinase 5.

Mol	Chain	Residues	Atoms					ZeroOcc	AltConf	Trace
			Total	C	N	O	S			
1	A	271	Total 2146	C 1376	N 358	O 402	S 10	0	0	0
1	B	271	Total 2146	C 1376	N 358	O 402	S 10	0	0	0
1	C	271	Total 2146	C 1376	N 358	O 402	S 10	0	0	0
1	D	271	Total 2146	C 1376	N 358	O 402	S 10	0	0	0

- Molecule 2 is 4-methoxy-N 1 -methyl-N 3 -{6-[4-(propan-2-yl)-4H-1,2,4-triazol-3-yl]pyridin-2-yl}benzene-1,3-dicarboxamide (three-letter code: 9E4) (formula: C₂₀H₂₂N₆O₃).



Mol	Chain	Residues	Atoms					ZeroOcc	AltConf
			Total	C	H	N	O		
2	A	1	Total 51	C 20	H 22	N 6	O 3	22	0
2	B	1	Total 51	C 20	H 22	N 6	O 3	22	0

Continued on next page...

Continued from previous page...

Mol	Chain	Residues	Atoms					ZeroOcc	AltConf
			Total	C	H	N	O		
2	D	1	51	20	22	6	3	22	0

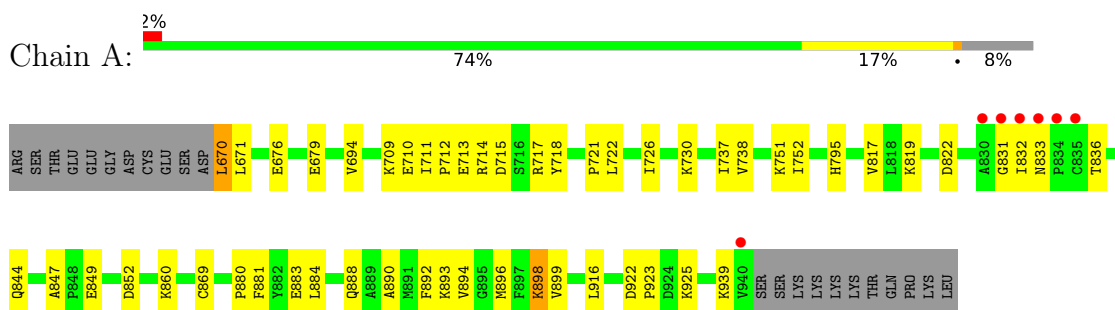
- Molecule 3 is water.

Mol	Chain	Residues	Atoms		ZeroOcc	AltConf
3	A	82	Total	O	0	0
			82	82		
3	B	91	Total	O	0	0
			91	91		
3	C	16	Total	O	0	0
			16	16		
3	D	15	Total	O	0	0
			15	15		

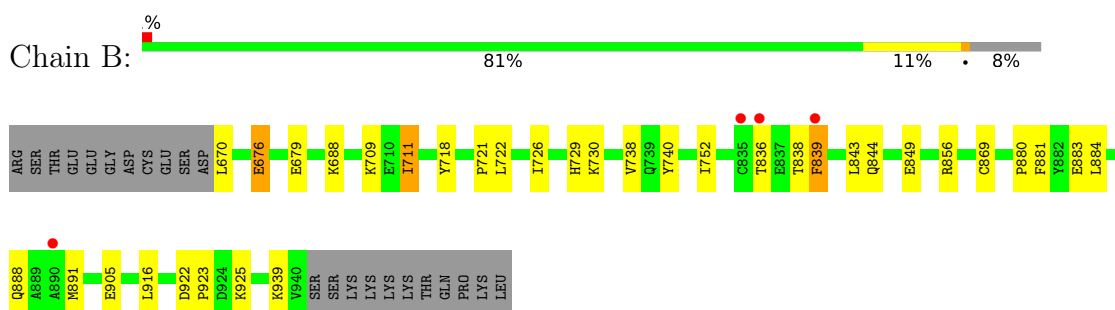
3 Residue-property plots [i](#)

These plots are drawn for all protein, RNA, DNA and oligosaccharide chains in the entry. The first graphic for a chain summarises the proportions of the various outlier classes displayed in the second graphic. The second graphic shows the sequence view annotated by issues in geometry and electron density. Residues are color-coded according to the number of geometric quality criteria for which they contain at least one outlier: green = 0, yellow = 1, orange = 2 and red = 3 or more. A red dot above a residue indicates a poor fit to the electron density ($RSRZ > 2$). Stretches of 2 or more consecutive residues without any outlier are shown as a green connector. Residues present in the sample, but not in the model, are shown in grey.

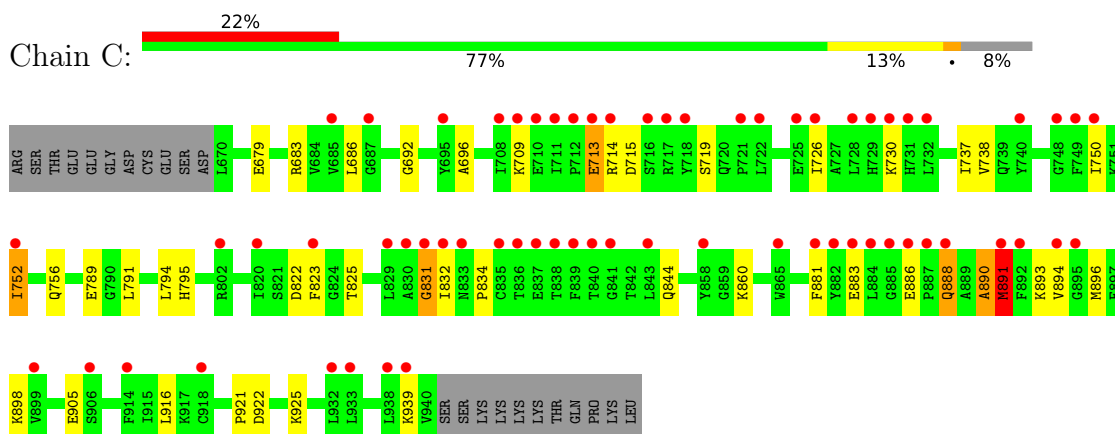
- Molecule 1: Mitogen-activated protein kinase kinase kinase 5




- Molecule 1: Mitogen-activated protein kinase kinase kinase 5

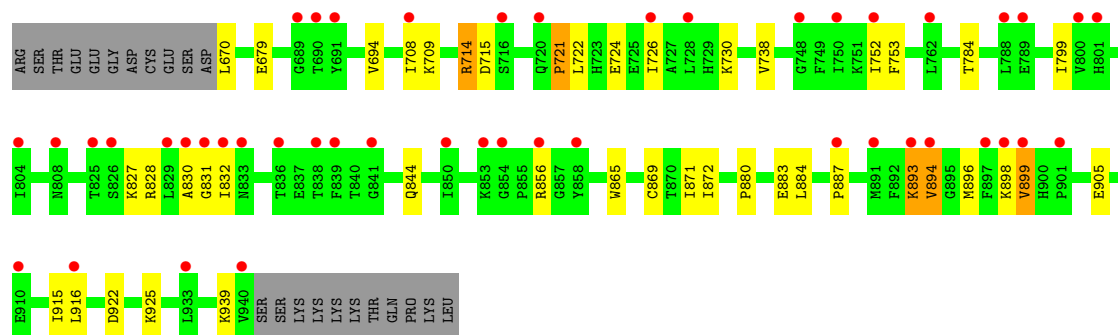


- Molecule 1: Mitogen-activated protein kinase kinase kinase 5



- Molecule 1: Mitogen-activated protein kinase kinase kinase 5

Chain D: 



4 Data and refinement statistics i

Property	Value	Source
Space group	P 1 21 1	Depositor
Cell constants a, b, c, α , β , γ	40.39Å 132.43Å 135.63Å 90.00° 92.29° 90.00°	Depositor
Resolution (Å)	135.52 – 2.84 135.52 – 2.84	Depositor EDS
% Data completeness (in resolution range)	99.3 (135.52-2.84) 99.7 (135.52-2.84)	Depositor EDS
R_{merge}	(Not available)	Depositor
R_{sym}	0.08	Depositor
$\langle I/\sigma(I) \rangle$ ¹	2.48 (at 2.86Å)	Xtrriage
Refinement program	BUSTER 2.11.7	Depositor
R, R_{free}	0.179 , 0.216 0.187 , 0.226	Depositor DCC
R_{free} test set	1653 reflections (4.94%)	wwPDB-VP
Wilson B-factor (Å ²)	64.7	Xtrriage
Anisotropy	0.564	Xtrriage
Bulk solvent k_{sol} (e/Å ³), B_{sol} (Å ²)	0.32 , 94.5	EDS
L-test for twinning ²	$\langle L \rangle = 0.49$, $\langle L^2 \rangle = 0.32$	Xtrriage
Estimated twinning fraction	0.000 for -h,l,k 0.006 for -h,-l,-k 0.043 for h,-k,-l	Xtrriage
F_o, F_c correlation	0.95	EDS
Total number of atoms	8941	wwPDB-VP
Average B, all atoms (Å ²)	109.0	wwPDB-VP

Xtrriage's analysis on translational NCS is as follows: *The largest off-origin peak in the Patterson function is 3.99% of the height of the origin peak. No significant pseudotranslation is detected.*

¹Intensities estimated from amplitudes.

²Theoretical values of $\langle |L| \rangle$, $\langle L^2 \rangle$ for acentric reflections are 0.5, 0.333 respectively for untwinned datasets, and 0.375, 0.2 for perfectly twinned datasets.

5 Model quality [i](#)

5.1 Standard geometry [i](#)

Bond lengths and bond angles in the following residue types are not validated in this section: 9E4

The Z score for a bond length (or angle) is the number of standard deviations the observed value is removed from the expected value. A bond length (or angle) with $|Z| > 5$ is considered an outlier worth inspection. RMSZ is the root-mean-square of all Z scores of the bond lengths (or angles).

Mol	Chain	Bond lengths		Bond angles	
		RMSZ	# Z >5	RMSZ	# Z >5
1	A	0.55	0/2195	0.74	0/2963
1	B	0.58	0/2195	0.73	0/2963
1	C	0.45	0/2195	0.68	0/2963
1	D	0.44	0/2195	0.68	0/2963
All	All	0.51	0/8780	0.71	0/11852

There are no bond length outliers.

There are no bond angle outliers.

There are no chirality outliers.

There are no planarity outliers.

5.2 Too-close contacts [i](#)

In the following table, the Non-H and H(model) columns list the number of non-hydrogen atoms and hydrogen atoms in the chain respectively. The H(added) column lists the number of hydrogen atoms added and optimized by MolProbity. The Clashes column lists the number of clashes within the asymmetric unit, whereas Symm-Clashes lists symmetry-related clashes.

Mol	Chain	Non-H	H(model)	H(added)	Clashes	Symm-Clashes
1	A	2146	0	2136	19	0
1	B	2146	0	2136	13	0
1	C	2146	0	2136	17	0
1	D	2146	0	2136	16	0
2	A	29	22	0	0	0
2	B	29	22	0	0	0
2	D	29	22	0	0	0
3	A	82	0	0	0	0
3	B	91	0	0	1	0

Continued on next page...

Continued from previous page...

Mol	Chain	Non-H	H(model)	H(added)	Clashes	Symm-Clashes
3	C	16	0	0	0	0
3	D	15	0	0	0	0
All	All	8875	66	8544	65	0

The all-atom clashscore is defined as the number of clashes found per 1000 atoms (including hydrogen atoms). The all-atom clashscore for this structure is 4.

All (65) close contacts within the same asymmetric unit are listed below, sorted by their clash magnitude.

Atom-1	Atom-2	Interatomic distance (Å)	Clash overlap (Å)
1:B:711:ILE:HD12	1:B:718:TYR:HB2	1.57	0.86
1:D:893:LYS:O	1:D:896:MET:HG2	1.75	0.86
1:A:888:GLN:O	1:A:892:PHE:HD1	1.76	0.69
1:D:884:LEU:HD11	1:D:893:LYS:HD3	1.78	0.66
1:B:836:THR:O	1:B:839:PHE:HB3	1.99	0.62
1:B:709:LYS:HB3	1:B:752:ILE:HG23	1.82	0.62
1:A:894:VAL:O	1:A:898:LYS:HA	1.99	0.61
1:A:817:VAL:HG12	1:A:819:LYS:HD3	1.82	0.61
1:D:784:THR:CG2	1:D:871:ILE:HG12	2.31	0.61
1:D:869:CYS:HB3	1:D:880:PRO:HG3	1.84	0.59
1:B:711:ILE:CD1	1:B:718:TYR:HB2	2.31	0.58
1:C:831:GLY:HA3	1:C:834:PRO:HB3	1.85	0.58
1:D:784:THR:HG22	1:D:871:ILE:HG12	1.85	0.58
1:A:710:GLU:HG2	1:A:751:LYS:HG2	1.86	0.57
1:A:670:LEU:HD12	1:A:671:LEU:H	1.71	0.56
1:D:828:ARG:HH21	1:D:830:ALA:HB2	1.71	0.56
1:D:721:PRO:HB2	1:D:724:GLU:HB2	1.88	0.56
1:A:715:ASP:HB2	1:A:717:ARG:HE	1.71	0.55
1:A:849:GLU:HG2	1:A:923:PRO:HG3	1.90	0.54
1:C:795:HIS:HB3	1:C:860:LYS:HD3	1.89	0.54
1:C:713:GLU:O	1:C:750:ILE:HD11	2.07	0.54
1:A:694:VAL:HG22	1:A:709:LYS:HG3	1.91	0.52
1:D:865:TRP:CZ2	1:D:894:VAL:HG13	2.44	0.52
1:C:898:LYS:HD2	1:C:921:PRO:HB3	1.91	0.52
1:B:869:CYS:HB3	1:B:880:PRO:HG3	1.91	0.51
1:A:869:CYS:HB3	1:A:880:PRO:HG3	1.93	0.50
1:C:791:LEU:HA	1:C:794:LEU:HD12	1.92	0.50
1:A:718:TYR:O	1:A:721:PRO:HD2	2.13	0.48
1:C:894:VAL:O	1:C:898:LYS:HA	2.14	0.48
1:A:795:HIS:HB3	1:A:860:LYS:HD3	1.96	0.48
1:C:886:GLU:O	1:C:890:ALA:HB2	2.13	0.48

Continued on next page...

Continued from previous page...

Atom-1	Atom-2	Interatomic distance (Å)	Clash overlap (Å)
1:A:893:LYS:HG2	1:A:899:VAL:HG21	1.96	0.48
1:A:890:ALA:O	1:A:894:VAL:HG23	2.14	0.48
1:C:726:ILE:HD11	1:C:752:ILE:HG12	1.97	0.47
1:B:726:ILE:O	1:B:730:LYS:HB2	2.15	0.47
1:C:686:LEU:HD21	1:C:696:ALA:HB2	1.96	0.47
1:C:692:GLY:H	1:C:709:LYS:HE2	1.79	0.46
1:D:694:VAL:HG22	1:D:709:LYS:HG3	1.97	0.46
1:C:714:ARG:HA	1:C:719:SER:HB3	1.97	0.46
1:C:726:ILE:O	1:C:730:LYS:HB2	2.15	0.46
1:A:833:ASN:HD21	1:A:836:THR:HG23	1.80	0.45
1:D:893:LYS:HE2	1:D:899:VAL:HB	1.99	0.45
1:C:881:PHE:CZ	1:C:894:VAL:HG21	2.51	0.45
1:B:843:LEU:HD22	1:B:891:MET:HG3	2.00	0.44
1:D:726:ILE:O	1:D:730:LYS:HB2	2.16	0.44
1:A:726:ILE:O	1:A:730:LYS:HB2	2.18	0.43
1:D:708:ILE:HG12	1:D:753:PHE:CD1	2.52	0.43
1:D:884:LEU:HD11	1:D:893:LYS:CD	2.47	0.43
1:C:891:MET:H	1:C:891:MET:HG3	1.48	0.43
1:C:922:ASP:HB3	1:C:925:LYS:HB2	2.00	0.43
1:B:718:TYR:C	1:B:721:PRO:HD2	2.39	0.43
1:B:881:PHE:HB3	1:B:884:LEU:HD12	2.01	0.43
1:B:729:HIS:CD2	1:B:740:TYR:HB2	2.54	0.42
1:D:922:ASP:HB3	1:D:925:LYS:HB2	2.00	0.42
1:A:711:ILE:HG13	1:A:712:PRO:HD2	2.01	0.42
1:D:872:ILE:HD11	1:D:915:ILE:HG21	2.02	0.42
1:C:886:GLU:HB3	1:C:888:GLN:HG2	2.02	0.41
1:A:881:PHE:HB3	1:A:884:LEU:HD12	2.02	0.41
1:D:898:LYS:HA	1:D:898:LYS:HD3	1.88	0.41
1:A:922:ASP:HB3	1:A:925:LYS:HB2	2.01	0.41
1:B:676:GLU:HG2	3:B:4128:HOH:O	2.20	0.41
1:C:823:PHE:C	1:C:825:THR:H	2.24	0.41
1:B:922:ASP:HB3	1:B:925:LYS:HB2	2.04	0.40
1:A:847:ALA:HB1	1:A:849:GLU:OE2	2.21	0.40
1:B:849:GLU:HG2	1:B:923:PRO:HG3	2.03	0.40

There are no symmetry-related clashes.

5.3 Torsion angles [i](#)

5.3.1 Protein backbone [i](#)

In the following table, the Percentiles column shows the percent Ramachandran outliers of the chain as a percentile score with respect to all X-ray entries followed by that with respect to entries of similar resolution.

The Analysed column shows the number of residues for which the backbone conformation was analysed, and the total number of residues.

Mol	Chain	Analysed	Favoured	Allowed	Outliers	Percentiles	
1	A	269/293 (92%)	247 (92%)	19 (7%)	3 (1%)	14	30
1	B	269/293 (92%)	254 (94%)	14 (5%)	1 (0%)	34	56
1	C	269/293 (92%)	235 (87%)	27 (10%)	7 (3%)	5	12
1	D	269/293 (92%)	233 (87%)	28 (10%)	8 (3%)	4	9
All	All	1076/1172 (92%)	969 (90%)	88 (8%)	19 (2%)	8	19

All (19) Ramachandran outliers are listed below:

Mol	Chain	Res	Type
1	C	713	GLU
1	C	891	MET
1	A	831	GLY
1	A	939	LYS
1	B	939	LYS
1	C	831	GLY
1	D	894	VAL
1	D	939	LYS
1	C	939	LYS
1	D	714	ARG
1	A	822	ASP
1	C	715	ASP
1	C	822	ASP
1	C	890	ALA
1	D	715	ASP
1	D	893	LYS
1	D	831	GLY
1	D	887	PRO
1	D	721	PRO

5.3.2 Protein sidechains [i](#)

In the following table, the Percentiles column shows the percent sidechain outliers of the chain as a percentile score with respect to all X-ray entries followed by that with respect to entries of similar resolution.

The Analysed column shows the number of residues for which the sidechain conformation was analysed, and the total number of residues.

Mol	Chain	Analysed	Rotameric	Outliers	Percentiles	
1	A	231/252 (92%)	215 (93%)	16 (7%)	15	31
1	B	231/252 (92%)	216 (94%)	15 (6%)	17	33
1	C	231/252 (92%)	215 (93%)	16 (7%)	15	31
1	D	231/252 (92%)	216 (94%)	15 (6%)	17	33
All	All	924/1008 (92%)	862 (93%)	62 (7%)	16	32

All (62) residues with a non-rotameric sidechain are listed below:

Mol	Chain	Res	Type
1	A	670	LEU
1	A	676	GLU
1	A	679	GLU
1	A	713	GLU
1	A	714	ARG
1	A	722	LEU
1	A	737	ILE
1	A	738	VAL
1	A	752	ILE
1	A	832	ILE
1	A	844	GLN
1	A	852	ASP
1	A	883	GLU
1	A	896	MET
1	A	898	LYS
1	A	916	LEU
1	B	670	LEU
1	B	676	GLU
1	B	679	GLU
1	B	688	LYS
1	B	711	ILE
1	B	722	LEU
1	B	738	VAL
1	B	838	THR

Continued on next page...

Continued from previous page...

Mol	Chain	Res	Type
1	B	839	PHE
1	B	844	GLN
1	B	856	ARG
1	B	883	GLU
1	B	888	GLN
1	B	905	GLU
1	B	916	LEU
1	C	679	GLU
1	C	683	ARG
1	C	737	ILE
1	C	738	VAL
1	C	752	ILE
1	C	756	GLN
1	C	789	GLU
1	C	832	ILE
1	C	844	GLN
1	C	883	GLU
1	C	888	GLN
1	C	891	MET
1	C	893	LYS
1	C	896	MET
1	C	905	GLU
1	C	916	LEU
1	D	670	LEU
1	D	679	GLU
1	D	714	ARG
1	D	722	LEU
1	D	738	VAL
1	D	752	ILE
1	D	799	ILE
1	D	827	LYS
1	D	832	ILE
1	D	844	GLN
1	D	856	ARG
1	D	883	GLU
1	D	899	VAL
1	D	905	GLU
1	D	916	LEU

Sometimes sidechains can be flipped to improve hydrogen bonding and reduce clashes. All (8) such sidechains are listed below:

Mol	Chain	Res	Type
1	A	833	ASN
1	A	888	GLN
1	B	703	GLN
1	B	808	ASN
1	C	833	ASN
1	C	888	GLN
1	D	833	ASN
1	D	888	GLN

5.3.3 RNA [i](#)

There are no RNA molecules in this entry.

5.4 Non-standard residues in protein, DNA, RNA chains [i](#)

There are no non-standard protein/DNA/RNA residues in this entry.

5.5 Carbohydrates [i](#)

There are no monosaccharides in this entry.

5.6 Ligand geometry [i](#)

3 ligands are modelled in this entry.

In the following table, the Counts columns list the number of bonds (or angles) for which Mogul statistics could be retrieved, the number of bonds (or angles) that are observed in the model and the number of bonds (or angles) that are defined in the Chemical Component Dictionary. The Link column lists molecule types, if any, to which the group is linked. The Z score for a bond length (or angle) is the number of standard deviations the observed value is removed from the expected value. A bond length (or angle) with $|Z| > 2$ is considered an outlier worth inspection. RMSZ is the root-mean-square of all Z scores of the bond lengths (or angles).

Mol	Type	Chain	Res	Link	Bond lengths			Bond angles		
					Counts	RMSZ	# Z > 2	Counts	RMSZ	# Z > 2
2	9E4	B	4000	-	28,31,31	1.06	2 (7%)	37,43,43	0.86	1 (2%)
2	9E4	D	4000	-	28,31,31	1.05	1 (3%)	37,43,43	0.90	1 (2%)
2	9E4	A	4000	-	28,31,31	1.02	1 (3%)	37,43,43	0.90	1 (2%)

In the following table, the Chirals column lists the number of chiral outliers, the number of chiral centers analysed, the number of these observed in the model and the number defined in the

Chemical Component Dictionary. Similar counts are reported in the Torsion and Rings columns. '-' means no outliers of that kind were identified.

Mol	Type	Chain	Res	Link	Chirals	Torsions	Rings
2	9E4	B	4000	-	-	0/24/24/24	0/3/3/3
2	9E4	D	4000	-	-	0/24/24/24	0/3/3/3
2	9E4	A	4000	-	-	0/24/24/24	0/3/3/3

All (4) bond length outliers are listed below:

Mol	Chain	Res	Type	Atoms	Z	Observed(Å)	Ideal(Å)
2	D	4000	9E4	C19-N6	4.49	1.39	1.33
2	B	4000	9E4	C19-N6	4.27	1.38	1.33
2	A	4000	9E4	C19-N6	4.26	1.38	1.33
2	B	4000	9E4	C2-N1	-2.13	1.45	1.49

All (3) bond angle outliers are listed below:

Mol	Chain	Res	Type	Atoms	Z	Observed(°)	Ideal(°)
2	D	4000	9E4	C4-N1-C5	-2.62	105.63	108.66
2	B	4000	9E4	C4-N1-C5	-2.61	105.64	108.66
2	A	4000	9E4	C4-N1-C5	-2.56	105.70	108.66

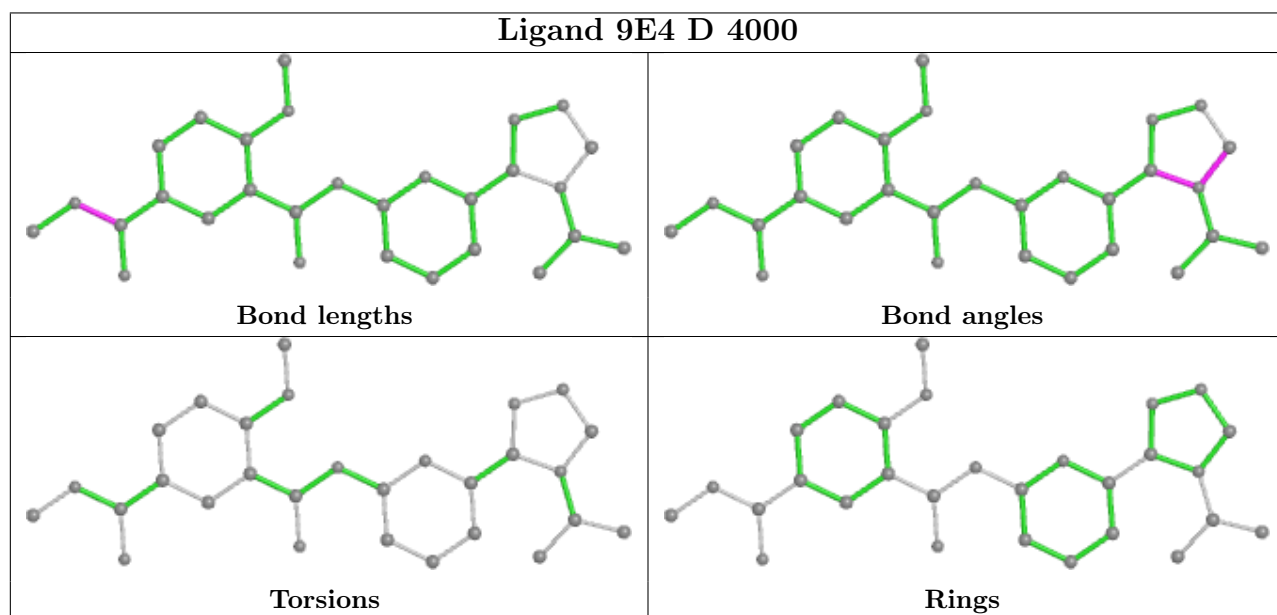
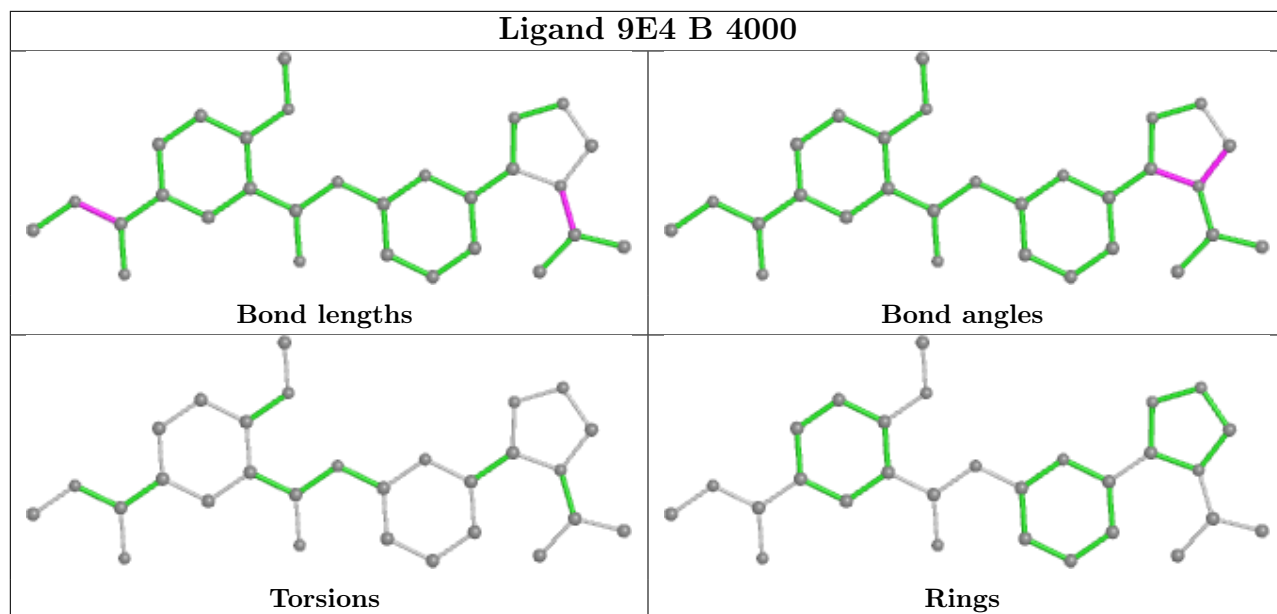
There are no chirality outliers.

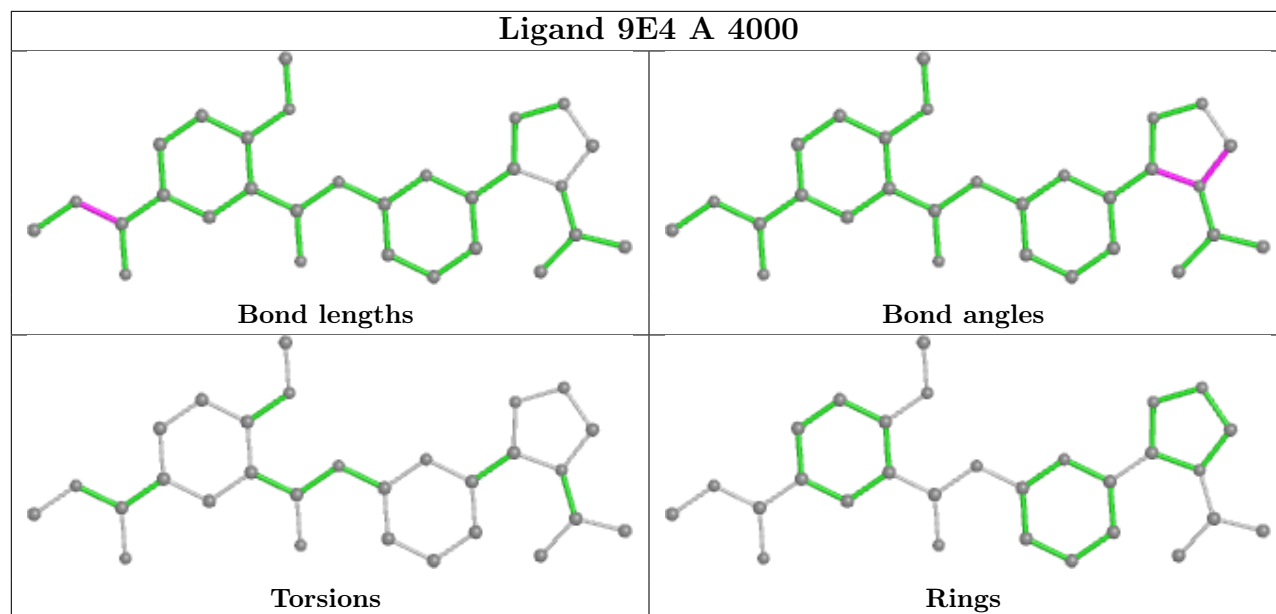
There are no torsion outliers.

There are no ring outliers.

No monomer is involved in short contacts.

The following is a two-dimensional graphical depiction of Mogul quality analysis of bond lengths, bond angles, torsion angles, and ring geometry for all instances of the Ligand of Interest. In addition, ligands with molecular weight > 250 and outliers as shown on the validation Tables will also be included. For torsion angles, if less than 5% of the Mogul distribution of torsion angles is within 10 degrees of the torsion angle in question, then that torsion angle is considered an outlier. Any bond that is central to one or more torsion angles identified as an outlier by Mogul will be highlighted in the graph. For rings, the root-mean-square deviation (RMSD) between the ring in question and similar rings identified by Mogul is calculated over all ring torsion angles. If the average RMSD is greater than 60 degrees and the minimal RMSD between the ring in question and any Mogul-identified rings is also greater than 60 degrees, then that ring is considered an outlier. The outliers are highlighted in purple. The color gray indicates Mogul did not find sufficient equivalents in the CSD to analyse the geometry.





5.7 Other polymers [i](#)

There are no such residues in this entry.

5.8 Polymer linkage issues [i](#)

There are no chain breaks in this entry.

6 Fit of model and data

6.1 Protein, DNA and RNA chains

In the following table, the column labelled ‘#RSRZ > 2’ contains the number (and percentage) of RSRZ outliers, followed by percent RSRZ outliers for the chain as percentile scores relative to all X-ray entries and entries of similar resolution. The OWAB column contains the minimum, median, 95th percentile and maximum values of the occupancy-weighted average B-factor per residue. The column labelled ‘Q < 0.9’ lists the number of (and percentage) of residues with an average occupancy less than 0.9.

Mol	Chain	Analysed	<RSRZ>	#RSRZ>2	OWAB(Å ²)	Q<0.9
1	A	271/293 (92%)	0.13	7 (2%) 56 51	36, 74, 129, 177	0
1	B	271/293 (92%)	0.11	4 (1%) 73 70	37, 62, 113, 153	0
1	C	271/293 (92%)	1.34	65 (23%) 0 0	84, 153, 219, 242	0
1	D	271/293 (92%)	1.03	46 (16%) 1 1	88, 141, 201, 232	0
All	All	1084/1172 (92%)	0.65	122 (11%) 5 2	36, 104, 197, 242	0

All (122) RSRZ outliers are listed below:

Mol	Chain	Res	Type	RSRZ
1	C	835	CYS	13.1
1	D	854	GLY	11.4
1	C	887	PRO	10.6
1	C	832	ILE	9.5
1	D	716	SER	9.0
1	C	712	PRO	8.7
1	D	832	ILE	8.5
1	C	833	ASN	8.2
1	C	750	ILE	8.0
1	C	839	PHE	8.0
1	D	940	VAL	7.9
1	D	894	VAL	7.9
1	C	718	TYR	7.4
1	C	888	GLN	7.2
1	D	839	PHE	7.2
1	D	887	PRO	6.9
1	D	897	PHE	6.8
1	D	898	LYS	6.7
1	A	833	ASN	6.6
1	C	886	GLU	6.5
1	D	891	MET	6.5

Continued on next page...

Continued from previous page...

Mol	Chain	Res	Type	RSRZ
1	A	831	GLY	6.3
1	C	858	TYR	6.2
1	C	891	MET	6.1
1	C	884	LEU	6.0
1	C	840	THR	5.8
1	C	892	PHE	5.3
1	C	711	ILE	5.2
1	C	829	LEU	5.0
1	C	932	LEU	5.0
1	D	830	ALA	5.0
1	A	830	ALA	5.0
1	D	720	GLN	5.0
1	D	829	LEU	5.0
1	C	881	PHE	5.0
1	B	836	THR	4.9
1	C	729	HIS	4.8
1	A	832	ILE	4.8
1	C	717	ARG	4.8
1	C	882	TYR	4.5
1	D	893	LYS	4.4
1	C	838	THR	4.4
1	A	834	PRO	4.4
1	C	836	THR	4.4
1	D	838	THR	4.3
1	D	801	HIS	4.3
1	C	837	GLU	4.3
1	D	858	TYR	4.2
1	C	895	GLY	4.2
1	D	833	ASN	4.2
1	D	752	ILE	4.0
1	C	748	GLY	3.9
1	C	713	GLU	3.8
1	D	831	GLY	3.8
1	B	835	CYS	3.7
1	C	732	LEU	3.7
1	C	749	PHE	3.7
1	C	716	SER	3.7
1	C	752	ILE	3.7
1	D	690	THR	3.6
1	C	885	GLY	3.5
1	D	728	LEU	3.5
1	D	850	ILE	3.4

Continued on next page...

Continued from previous page...

Mol	Chain	Res	Type	RSRZ
1	C	865	TRP	3.4
1	D	836	THR	3.4
1	C	802	ARG	3.3
1	D	800	VAL	3.2
1	C	843	LEU	3.1
1	A	835	CYS	3.1
1	C	820	ILE	3.1
1	B	890	ALA	2.9
1	C	728	LEU	2.9
1	C	710	GLU	2.9
1	D	788	LEU	2.8
1	D	853	LYS	2.8
1	C	831	GLY	2.8
1	D	689	GLY	2.8
1	C	899	VAL	2.8
1	D	841	GLY	2.8
1	C	695	TYR	2.7
1	C	918	CYS	2.7
1	D	901	PRO	2.7
1	C	731	HIS	2.7
1	C	721	PRO	2.6
1	C	933	LEU	2.5
1	D	804	ILE	2.5
1	D	916	LEU	2.5
1	D	856	ARG	2.4
1	C	939	LYS	2.4
1	C	725	GLU	2.4
1	C	906	SER	2.4
1	C	823	PHE	2.4
1	C	726	ILE	2.4
1	A	940	VAL	2.4
1	B	839	PHE	2.3
1	D	933	LEU	2.3
1	C	914	PHE	2.3
1	C	830	ALA	2.3
1	D	750	ILE	2.3
1	C	687	GLY	2.2
1	C	685	VAL	2.2
1	C	938	LEU	2.2
1	D	825	THR	2.2
1	C	709	LYS	2.2
1	D	826	SER	2.2

Continued on next page...

Continued from previous page...

Mol	Chain	Res	Type	RSRZ
1	C	714	ARG	2.2
1	D	708	ILE	2.2
1	C	841	GLY	2.1
1	C	730	LYS	2.1
1	C	894	VAL	2.1
1	D	691	TYR	2.1
1	C	722	LEU	2.1
1	D	789	GLU	2.1
1	C	708	ILE	2.1
1	C	883	GLU	2.1
1	D	726	ILE	2.1
1	D	808	ASN	2.1
1	D	910	GLU	2.1
1	D	762	LEU	2.0
1	C	740	TYR	2.0
1	D	899	VAL	2.0
1	D	748	GLY	2.0

6.2 Non-standard residues in protein, DNA, RNA chains [i](#)

There are no non-standard protein/DNA/RNA residues in this entry.

6.3 Carbohydrates [i](#)

There are no monosaccharides in this entry.

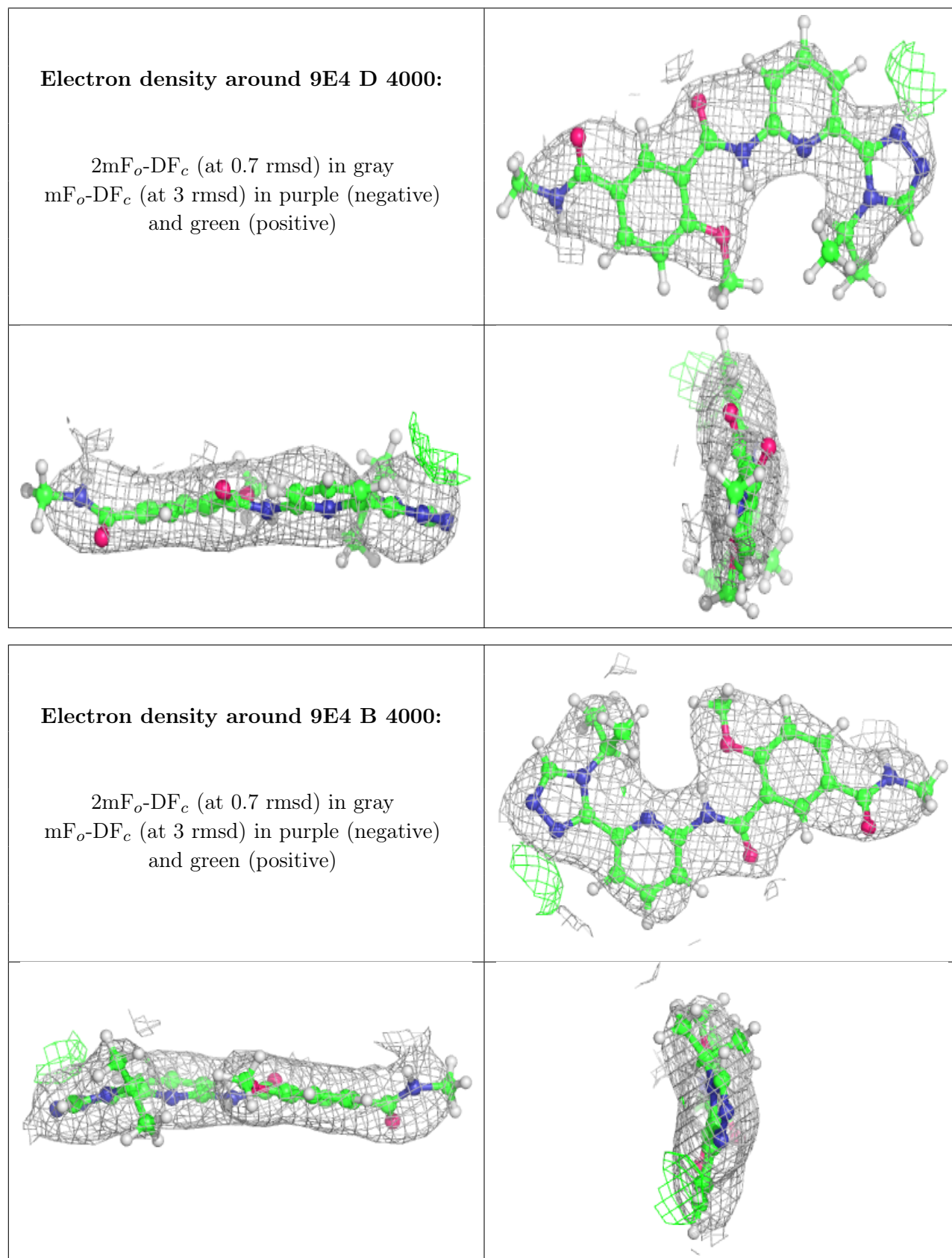
6.4 Ligands [i](#)

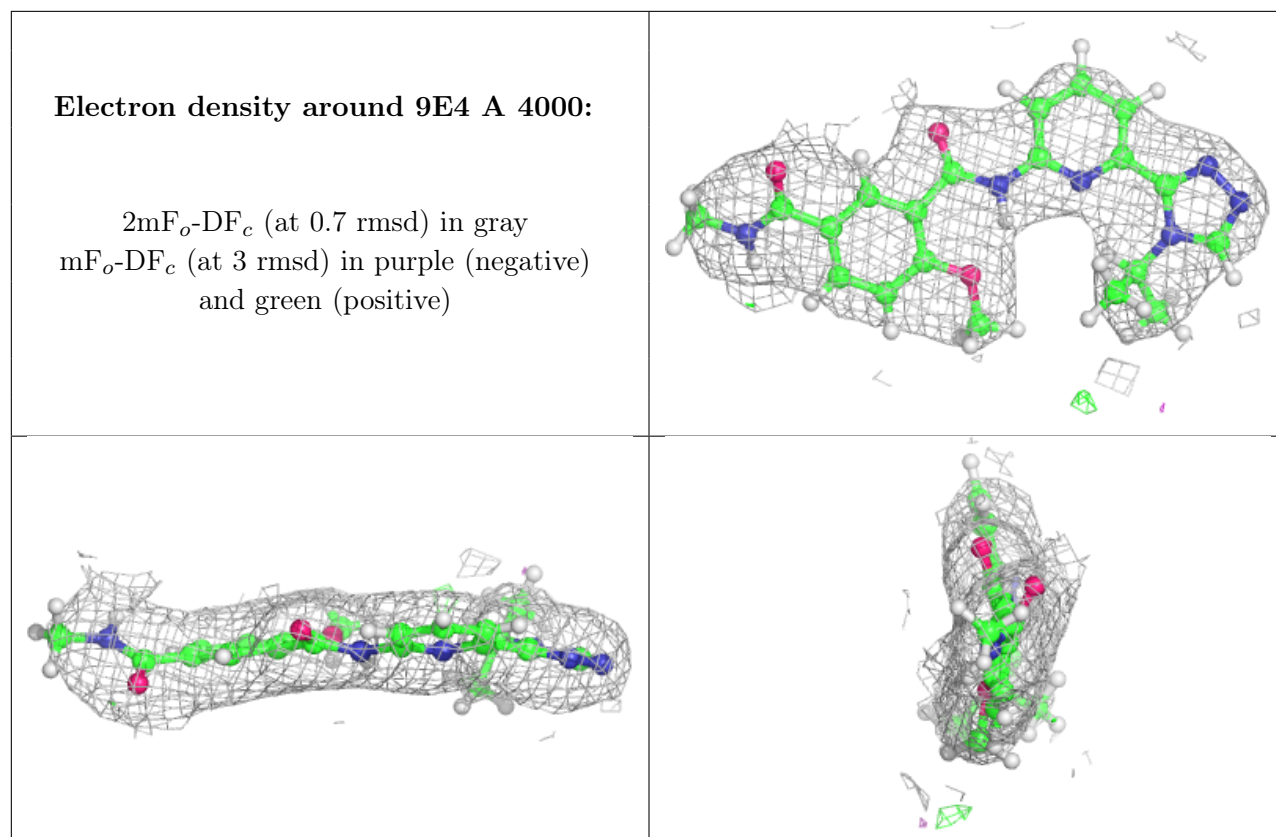
In the following table, the Atoms column lists the number of modelled atoms in the group and the number defined in the chemical component dictionary. The B-factors column lists the minimum, median, 95th percentile and maximum values of B factors of atoms in the group. The column labelled 'Q< 0.9' lists the number of atoms with occupancy less than 0.9.

Mol	Type	Chain	Res	Atoms	RSCC	RSR	B-factors(\AA^2)	Q<0.9
2	9E4	D	4000	29/29	0.94	0.28	87,96,113,116	22
2	9E4	B	4000	29/29	0.98	0.20	30,35,46,57	22
2	9E4	A	4000	29/29	0.99	0.22	36,47,54,57	22

The following is a graphical depiction of the model fit to experimental electron density of all instances of the Ligand of Interest. In addition, ligands with molecular weight > 250 and outliers

as shown on the geometry validation Tables will also be included. Each fit is shown from different orientation to approximate a three-dimensional view.





6.5 Other polymers [i](#)

There are no such residues in this entry.